

# PVK-102 Pivot Table Stand

## Quick Start Guide

This printed quick guide provides a quick walkthrough of the set up process.

### Technical Spec

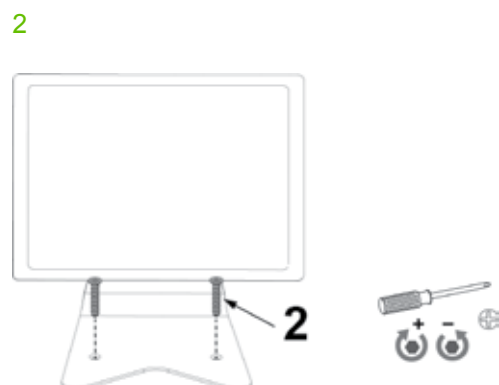
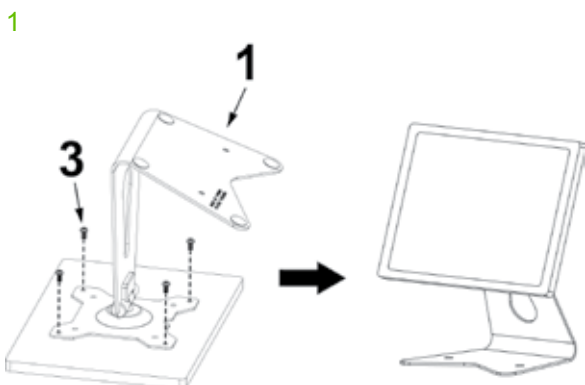
|                       |  |  |
|-----------------------|--|--|
| Net weight            | 0.75 kg<br>(1.65 lbs)  |  |
| Dimension (W * H * D) | 157 mm x 216 mm x 136 mm<br>(6.18" x 8.50" x 5.35")                    |  |
| Screw type            | M4   |  |
| Material              | Steel  |  |
| Hinge module          | Tilt<br>Rotating holder (pivot)  | -23° ~ +151°<br>360°   |
| Display support       | Mounting pattern<br>Suggested signboard size<br>Maximum support weight | 100 mm x 100 mm / 75 mm x 75 mm<br>≤ 12"<br>1.2 kg (2.6 lbs) |
| Cable Management      | Yes  |  |

### Box Content

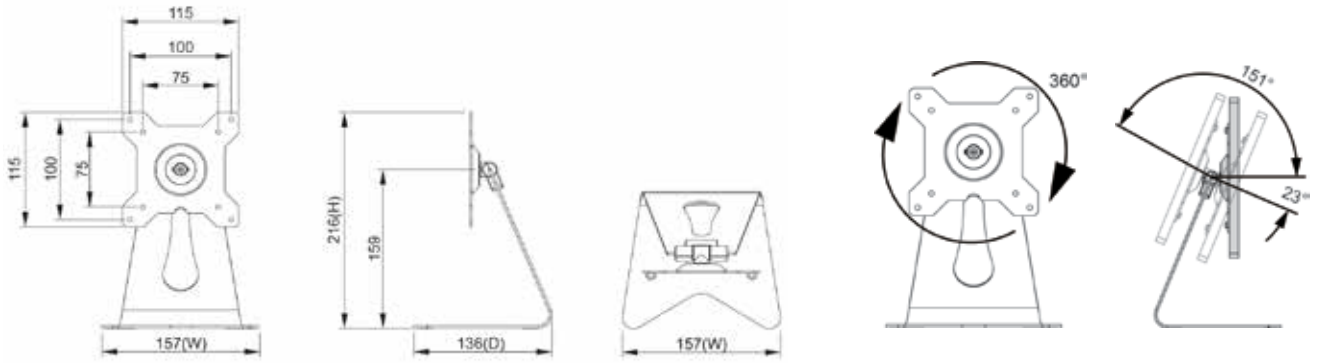
| Item | Parts                                    | Q'ty |
|------|--|------|
| 1    | Table stand                              | 1    |
| 2    | Table mounting screw                     | 2    |
| 3    | VESA plate screw (WRP-1000 use M4 x 12L) | 4    |



### Mounting and Installation



Mechanical Drawings



Product Photos

10" signboard in landscape



Front



Back

10" signboard in portrait



Front



Back

PVK-102  
Silver



PVK-102  
Black



Anti-slip surface for  
secure mounting

