



User Manual

Date

04/21/2021

Version 1.0.0

PGP-101



America

20 Fairbanks,
Ste, 170 Irvine, CA 92618
California, U.S.A

Taiwan

114, 3F, No. 21
Ln. 168, Xingshan Rd.
Neihu Dist., Taipei, Taiwan

This printed quick guide provides a quick walkthrough of the set up process.

Technical Spec

Parts	Description
Net Weight (g)	273
Dimension (mm)	
Gang box plate	115 x 131 x 11
VESA adapter plate	115 x 133.4 x 2
Screw types	M3 x 6L x 4pcs M4 x 8L x 4pcs
Material	Metal
Compatible IAdea Signboards	XDS-1078 XDS-1088 series XDS-1588 series WRP-1000 series

Package content



VESA adapter
plate
1 pc



Gang box
plate
1 pc



Screw
M3 x 6L
4 pcs

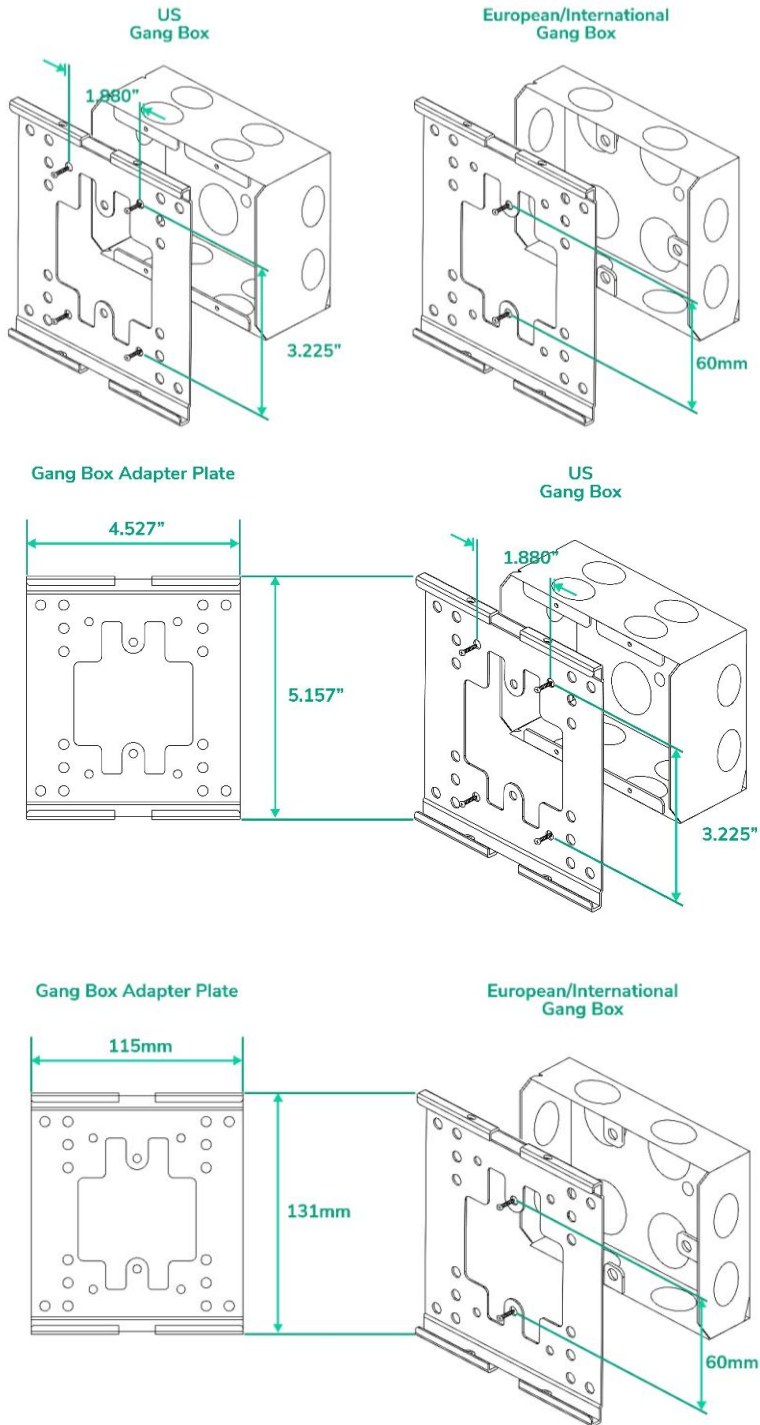


Screw
M4 x 8L
4 pcs

Mounting installation

1. Mounting gang box plate

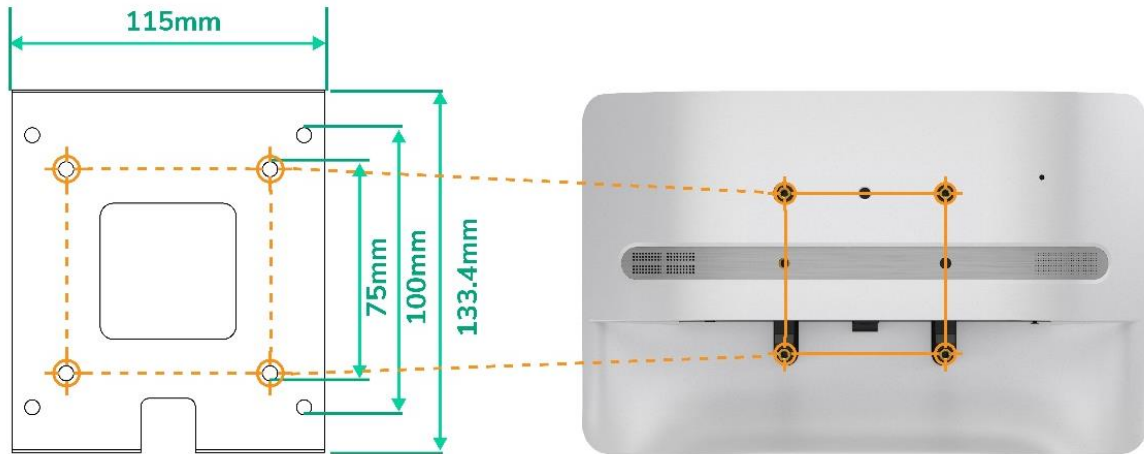
Mount the gang box plate to the gang box holes. Please check it is US or EU/international types.



2. Mounting VESA adapter plate

Mount the VESA adapter plate to IAdea signboards. For 10" models, please mount to 75 x 75 holes. 15" models, please mount to 100 x 100 holes.

Device Vesa Mount Plate



3. Cabling and assembling the set

Pull out the cables (Ethernet cable, power cables) from the gang box and plug to IAdea signboards. Slide the VESA adapter plate to the gang box plate. Then put on 4 screws on top and bottom to fix the plates.

