

# XDS-1073 Hardware User Manual



<b>XDS-1073 Hardware User Manual</b>	<b>1</b>
<b>1. Introduction</b>	<b>1</b>
1.1. Package contents	1
1.2. Physical view and features	1
1.3. Installation	3
<b>2. Technical Data</b>	<b>5</b>
2.1. Specifications	5
2.1. Disclaimer	6

# 1. Introduction

This document contains installation, configuration, and operating information for the IAdea XDS-1072/1078.

## 1.1.Package contents



Main Unit



Power adapter with  
select power plug



Power and MicroSD  
card brackets



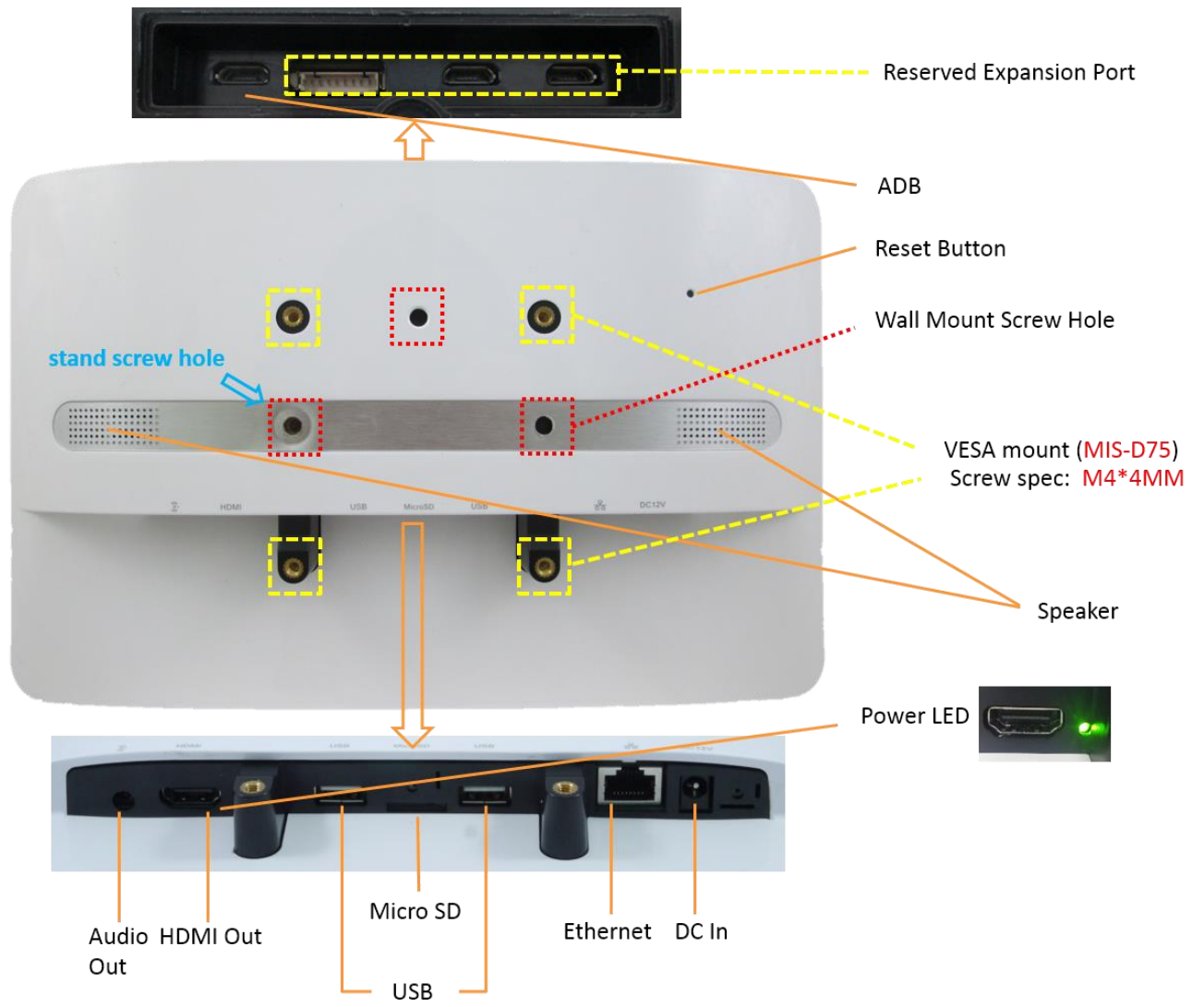
Table Stand

## 1.2.Physical view and features

### Front View



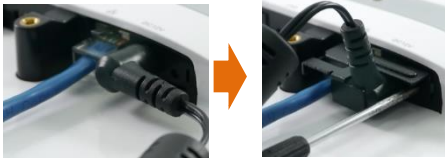
# Rear View



## 1.3. Installation

### Securing the power and network cable

- 1 Insert power plug
- 2 Fasten bracket onto the socket



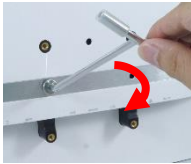
### Securing Micro SD card

- 1 Insert SD card bracket
- 2 Fasten SD card bracket



### Installing the table stand

- 1 Simply screw the supplied table stand into stand screw hole



## Mounting

XDS-1073 is MIS-D75 compatible, the recommended screw is M4 x 4.5~5mm (excl. bracket thickness)

### Mounting Option 1: [VESA mount]

Supporting VESA standard: VESA MIS-D75 (75\*75mm)

Supporting screw: M4\*4mm (exclude the mounting plate thickness)

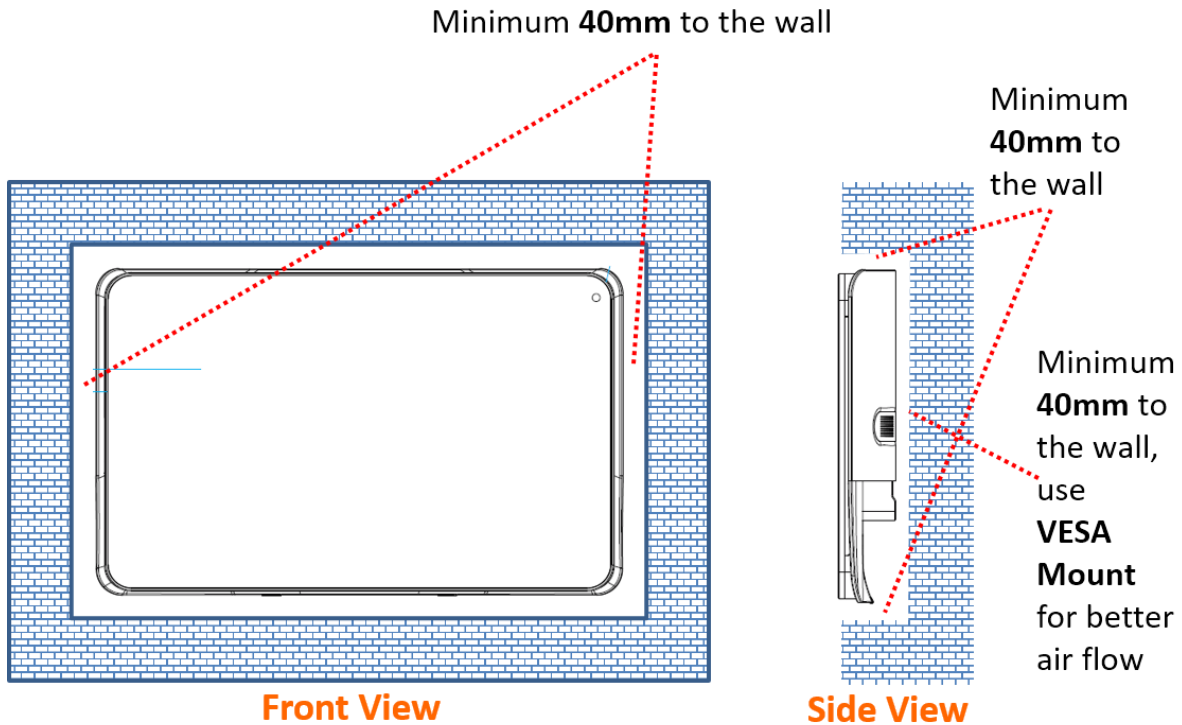
### Mounting Option 2: [Using back cover]

(power / SD card brackets MUST NOT installed while mount on back cover)

- 1 Release the back cover screw to release back cover
- 2 Install back cover : thread head height must not exceed **3mm**
- 3 Route power and network cable from bottom as shown in photo
- 4 Plug power and network cable to signboard , and then install signboard with back cover carefully



While install on indented wall or install inside custom casing/frame, follow below installation guide line to allow enough space for air flow:



## 2. Technical Data

### 2.1. Specifications

XDS-1073	
<b>Display</b>	10.1" HD panel 10 points multi-touch Programming LED bar x 2 300 nits maximum brightness 1280x800 panel resolution Viewing angle (H/V): 170/170 Built-in speaker 2W x 2
<b>Video format support</b>	H.264 (up to 1080p,10Mbps) VC-1 (up to 1080p,10Mbps) MPEG-4 ASP (up to 1080p,10Mbps) MPEG-2 (up to 1080p,10Mbps) POPAI Screen Media Standards : S6 to S12, E4,E7,E8
<b>Image format support</b>	JPEG,PNG up to 1920x1080 POPAI Screen Media Standards : S1 to S3, E1 to E3
<b>Audio codec support</b>	MP3 up to 320Kbps POPAI Screen Media Standards : S4, S5
<b>Dynamic content</b>	W3C HTML5 (HTML, CSS, JavaScript) W3C SMIL 3.0 instructions (sub-set)
<b>Physical I/O connectors</b>	3.5mm analog stereo audio out port HDMI output port USB 2.0 x 2 RJ45 Ethernet port Micro SD card slot DC in Micro USB for ADB reserved expansion port
<b>Local storage</b>	8 GB eMMC with Micro SD card expansion slot
<b>Accessories</b>	Power adapter Power and Micro SD card bracket Table stand
<b>Power requirement</b>	12V 1.5A DC 802.3af compliance PoE, power over Ethernet
<b>Power consumption*</b>	14.15 watts max
<b>Environmental</b>	Operating temperature: 0 – 40° C / 32 – 104° F Storage Humidity: 10 – 85% @ 40° C / 104° F non-condensing
<b>Dimensions</b>	260 x 162 x 28 mm (10.23 x 6.37 x 1.02 inches)
<b>Weight</b>	0.727kg 1.5lbs
<b>Safety</b>	UL/CB certified AC adapters
<b>Certifications</b>	CE/FCC
<b>Warranty</b>	One-year limited parts & labor

## 2.1.Disclaimer

### Image Retention Disclaimer

When an image is displayed on-screen for prolonged periods of time, you may see a faint image after it is replaced. This is expected normal behavior for displays.

Image retention may be reduced by:

- Avoiding still images shown on-screen for more than a few minutes
- Using non-contrasting colors and brightness
- Using background colors other than gray