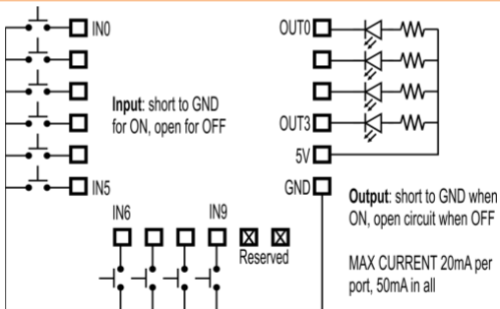


PIO-101 GPIO Adapter

Quick Start Guide

Connect open-close type switches to input ports, and connect low current (max 50mA in all) lights and actuators to output ports.

Reference Circuit



Sample Application – Trigger by Buttons

